

EXO 200TW3

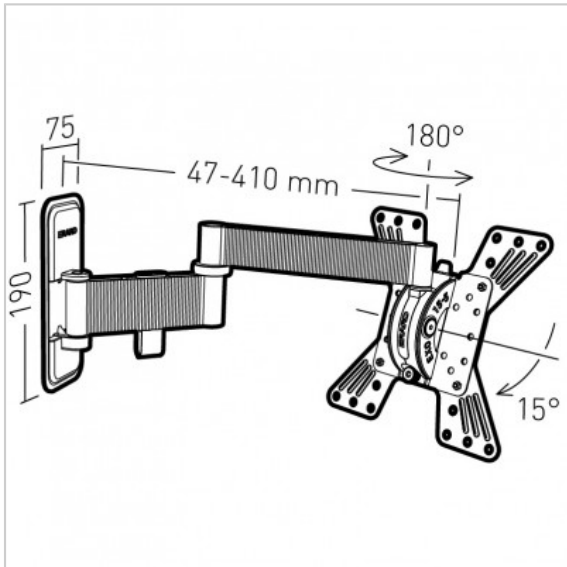
Réf : 048320

EAN : 3185280483204

Tilting and swivelling aluminium wall mount - Offset 410 mm - 2 arm

TECHNICAL SPECIFICATIONS

Function	Tilting and swiveling
Size of your screen	19"-26"
Max weight	15
VESA	50sup200
Course	180°
Material	Aluminium + steel
Finish	Texturized anodized aluminium Titanium epoxy painting + black epoxy painting steel
Cable Management	Yes
Integrated spirit level	No
Screw set mount / screen supplied	Yes
Screw set wall / mount supplied	Yes for full wall materials
Delivered premounted	Yes
Installation time	20
Persons for mounting	1



EXO Tilting and swivelling PREMIUM wall mounts

- Offset 410 mm - 1 arm
- Patented off-centre spacers to correct horizontality after drilling
- Continuous tilt up to -15°
- Swivel 180°
- Cable management
- Texturized anodized aluminium arm, Titanium colour painting
- Screen and wall mount made of steel, black epoxy painting
- Delivered pre-assembled
- Magnetic cover for wall mount

