

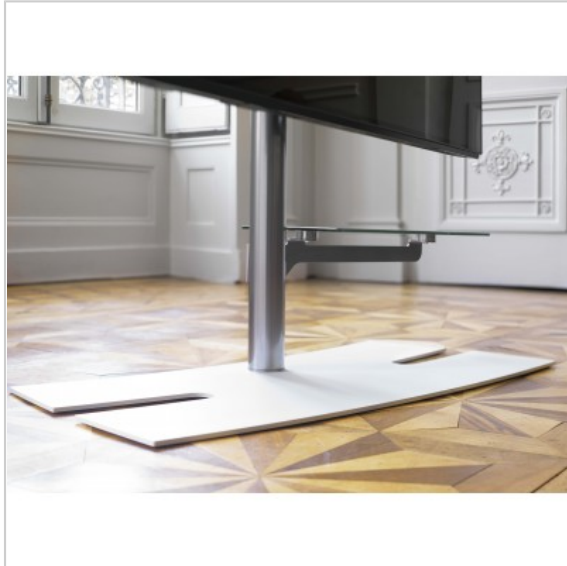
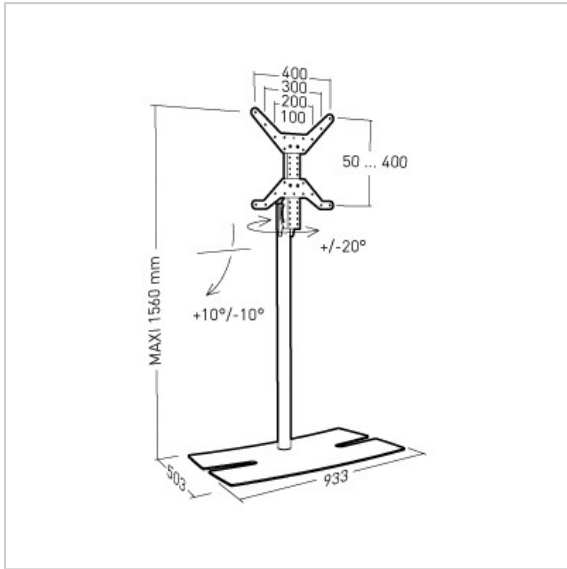
## Lux Up T 1560L White

Ref. : 038253

EAN : 3185280382538

### TECHNICAL SPECIFICATIONS

Color	Black
Product type	TV stand
Function	Tête inclinable, orientable et reversible
Size of your screen	30"-55"
Max weight	30
Max thickness of the screen	75
Course	+/- 20°
Cable Management	Yes
CURVED TV Compatibility	Yes



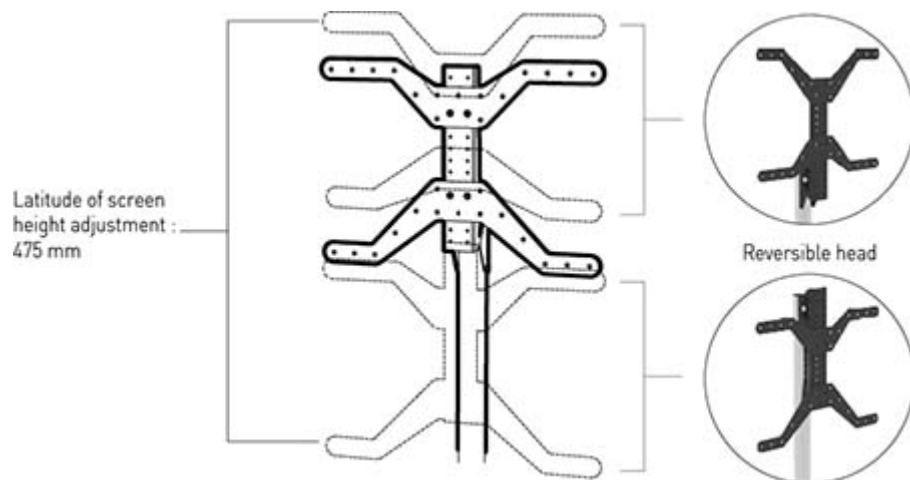
# LUX-UP T 1560L

## TECHNICAL CHARACTERISTICS

- | Steel base; black or white epoxy painting
- | Mast diameter 60 mm ; Chromium epoxy painting
- | Incorporated cable management in the mast
- | Screen swivel +/-20° and tilt +/-10°
- | Screen height adjustment on 475 mm

## ASSETS OF LUX UP T

Great latitude for adjusting the height of the screen.  
Tilt adjustment to prevent glare on the screen.  
Perfect stability (tests according to standard NF / EN 60065).  
Quality of materials and very beautiful finish (French manufacture)





Tilt fonction  
Continuous tilt

