

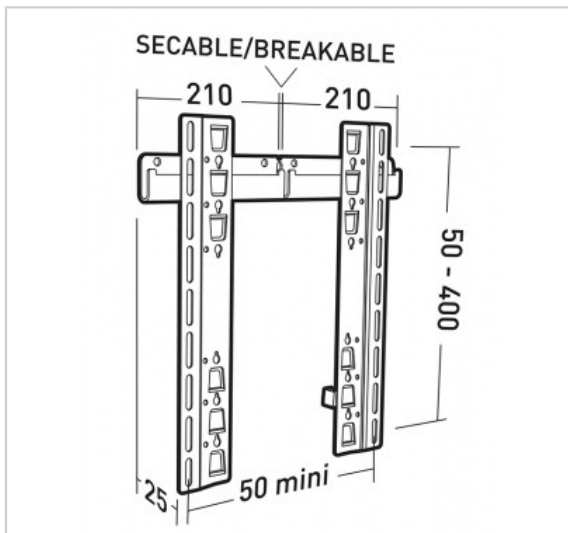
APPLIK 2530

Réf : 002530

Fixed universal wall mount for 30" and more

TECHNICAL SPECIFICATIONS

| | |
|-----------------------------------|--|
| Color | Black |
| Function | Fixed |
| Size of your screen | 30" and more |
| Max weight | 80 |
| VESA | universel en largeur - de 200sup 400 mm en hauteur |
| Material | Steel |
| Finish | black epoxy painting |
| Integrated spirit level | No |
| Screw set mount / screen supplied | Yes |
| Screw set wall / mount supplied | Yes for full wall materials |
| Delivered premounted | Yes |
| Plasterboard compatibility | Yes |
| Installation time | 10 |
| Persons for mounting | 1 |



- Extra-slim : screen flattened to 25 mm off the wall
- 3 positions for the screen height adjustment
- Horizontal adjustability : +/- 4°